

The **SS Series** features SMA connectors and a frequency range of DC to 18 GHz.

The **SSE Series** also features SMA connectors and a frequency range of DC to 22 GHz.

Both series are available with failsafe or normally open functions. Please contact Factory for latching and pulse latching design availability.

Weight (max.):	6.5 oz
RF Impedance:	50 ohms nominal
Operating Temperature:	-55°C to +85°C ambient
Operating Life:	1,000,000 cycles min.
Switching Sequence:	Break Before Make

SPECIFICATIONS

Frequency	VSWR (max.)	Insertion Loss (dB max.)	Isolation (dB min.)
DC-4 GHz	1.20	0.30	75
4-8 GHz	1.30	0.35	70
8-12 GHz	1.40	0.40	65
12-18 GHz	1.50	0.50	60
18-22 GHz	1.60	0.60	60

Actuator Current (typical)	12Vdc	15 Vdc	24 Vdc	28Vdc
Failsafe	390mA	310mA	205mA	190mA
Normally Open	310mA	250mA	155mA	135mA

* If reduced coil current is required, please contact Factory.

Position	NO	NC	Latching
Switching Time - mSec (Max)	15	35	N/A

AVAILABLE OPTIONS

OPTION 3 VOLTAGE		OPTION 4 ACTUATOR				OPTION 5 POLARITY		OPTION 7 STANDARD OPTIONS	
1 - 12 Vdc		Failsafe		Normally Open		1 - Negative		1 - Moisture Seal	
2 - 28 Vdc	A - Standard	C - Indicators		L - Standard	N - Indicators	2 - Positive		2 - High Temperature (125° C)	
3 - 15 Vdc	B - Diodes	D - Diodes, Indicators		M - Diodes	P - Diodes, Indicators	3 - Not Applicable		3 - Moisture Seal & High Temperature (125° C)	
5 - Other									
6 - 24 Vdc	Low Input Drivers with:	High Input Drivers with:		Low Input Drivers with:	High Input Drivers with:	OPTION 6 TERMINALS			
7 - 5 Vdc	E - Diodes	EH - Diodes		R - Diodes	RH - Diodes	1 - Solder Terminals			
	F - Diodes, Indicators	FH - Diodes, Indicators		S - Diodes, Indicators	SH - Diodes, Indicators	2 - Circular Connector			
	EB - B C D, Diodes	EBH - B C D, Diodes		RB - B C D, Diodes	RBH - B C D, Diodes	3 - Other (Specify)			
	FB - B C D, Diodes, Indicators	FBH - B C D, Diodes, Indicators		SB - B C D, Diodes, Indicators	SBH - B C D, Diodes, Indicators	4 - Sub M iniature D-Shell Connector			
								OPTION 8 BRACKETS	
								A - See Page 143	Requires Body "U"
								OPTION 9 BODIES	
								U - See Page 147	

For "Additional Options" please contact Factory for part number

SS/SSE

Option 1
Positions

Option 2
Series

Option 3
Voltage

Option 4
Actuator

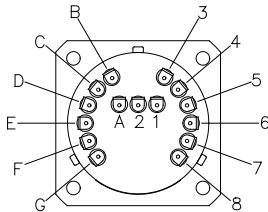
Option 5
Polarity

Option 6
Terminals

DC TERMINAL FUNCTIONS

PIN	FAILSAFE			NORMALLY OPEN		
	A, C	B, D	E, EH, EB, EBH, F, FH, FB, FBH	L, N	M, P	R, RH, RB, RBH, S, SH, SB, SBH
1	C	C+/-	+VSW	C	C+/-	+V SW
2	N/A	N/A	C RTN	N/A	N/A	C RTN
3	N/A	N/A	N/A or BCD 1	AV 1	AV 1-/+	L 1 or BCD 1
4	AV 2	AV 2-/+	L 2 or BCD 2	AV 2	AV 2-/+	L 2 or BCD 2
5	AV 3	AV 3-/+	L 3 or BCD 4	AV 3	AV 3-/+	L 3 or BCD 4
6	AV 4	AV 4-/+	L 4	AV 4	AV 4-/+	L 4
7	AV 5	AV 5-/+	L 5	AV 5	AV 5-/+	L 5
8	AV 6	AV 6-/+	L 6	AV 6	AV 6-/+	L 6

TOP VIEW



Actual markings will reflect terminal functions, not letter or number designation as shown above.

SCHEMATICS

Pages 129-136

	M1	M2	M3, M4	M5	M6	M7, M8

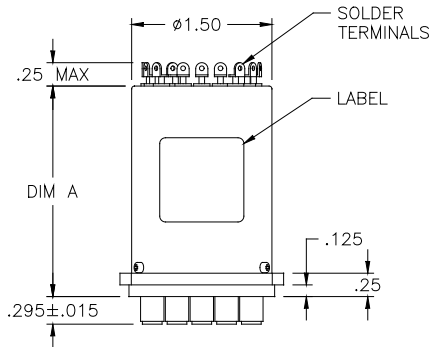
INDICATORS

PIN	A	B	C	D	E	F	G
	COM	1 or F/S	2	3	4	5	6

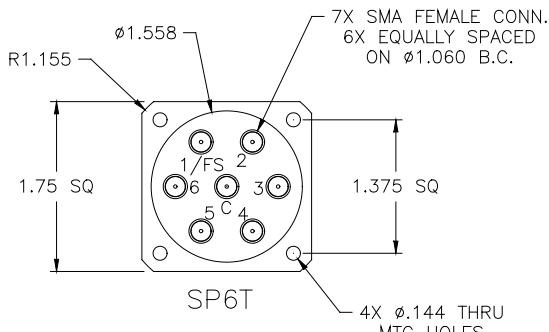
See Page 159 for Legend of Terms and Tolerances

See Page 135 for Truth Table

FRONT VIEW



BOTTOM VIEW



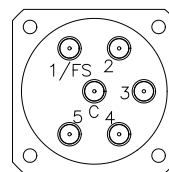
OUTLINE DRAWING

AVAILABLE OPTIONS*

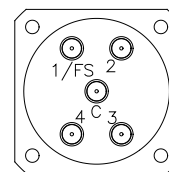
DIMENSION "A" (MAX).

A, L	1.75
B, C, M, N	2.00
D, P	2.25
E, EH, R, RH	2.25
EB, EBH, RB, RBH	2.25
F, FH, S, SH	2.75
FB, FBH, SB, SBH	2.75

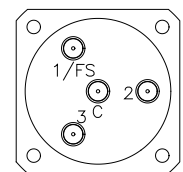
* Consult factory for Dimension "A" when multi pin connector is desired.



SP5T



SP4T



SP3T