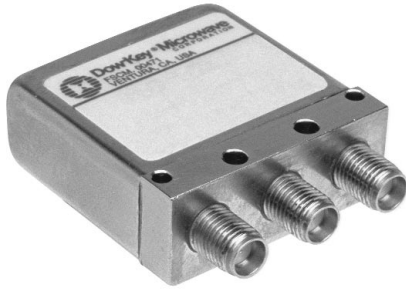




<b>C</b> Commercial	<b>M</b> Military	<b>A</b> Avionics	<b>S</b> Space
------------------------	----------------------	----------------------	-------------------

**RF Characteristics**



Frequency GHz	VSWR (max)	Isolation dB (min)	Ins. Loss dB (max)
0-1	1.10	85	0.10
1-4	1.15	80	0.15
4-8	1.20	70	0.20
8-12	1.30	65	0.30
12-18	1.35	60	0.35
*18-26.5	1.50	55	0.50

\* "K" option only. Ex: 401K-3208

Note: Typical performance dependent on selected options

401 Series SPDT Latching, SMA

**Specifications**

**Operating Voltage:**

(across temperature range)  
 12 Vdc (11-14 Vdc)  
 28 Vdc (24-32 Vdc)

**Coil Current (max @ nom. Vdc & 20°C):**

12 Vdc 230 mA  
 28 Vdc 120 mA

**Switching Time:**

15 mS maximum

**Operating Temperature:**

-25°C to +65°C (Standard)  
 -55°C to +85°C (Extended "T" Option)

**Mechanical Life, Cycles:**

1,000,000 minimum

**Vibration, Operating:**

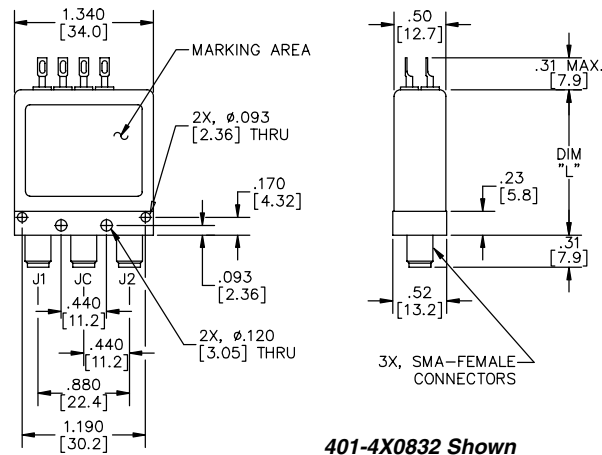
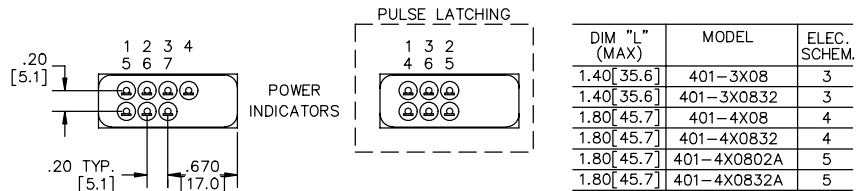
10G RMS, 20-2000 Hz

**Mechanical Shock, Non-Operating:**

50G, 1/2 Sine, 11mS

**Nominal Weight:**

2.5 oz., (71g.)



For Electrical Schematic see page # 1-5

**Part Number Selection**

401 J - 4 2 08 02 A

Special Options	Actuator	Coil Voltage	Connectors	Indicators	Circuit Options
A = High Power I = Immersion Seal J = 'D' Connector K = 26.5 GHz M = 5mS R = (+) Com S = Epoxy Seal T = -55°C to + 85°C	3 = Pulse Latching 4 = Latching Self Cutoff 7 = Pulse Latching with Suppression Diodes	2 = 12Vdc 3 = 28Vdc 7 = 20Vdc 8 = 24Vdc 9 = 15Vdc	08 = SMA Female 19 = Pins, PC Board Mount	02 = No Indicators 32 = Indicators	A = TTL High L = TTL Low

