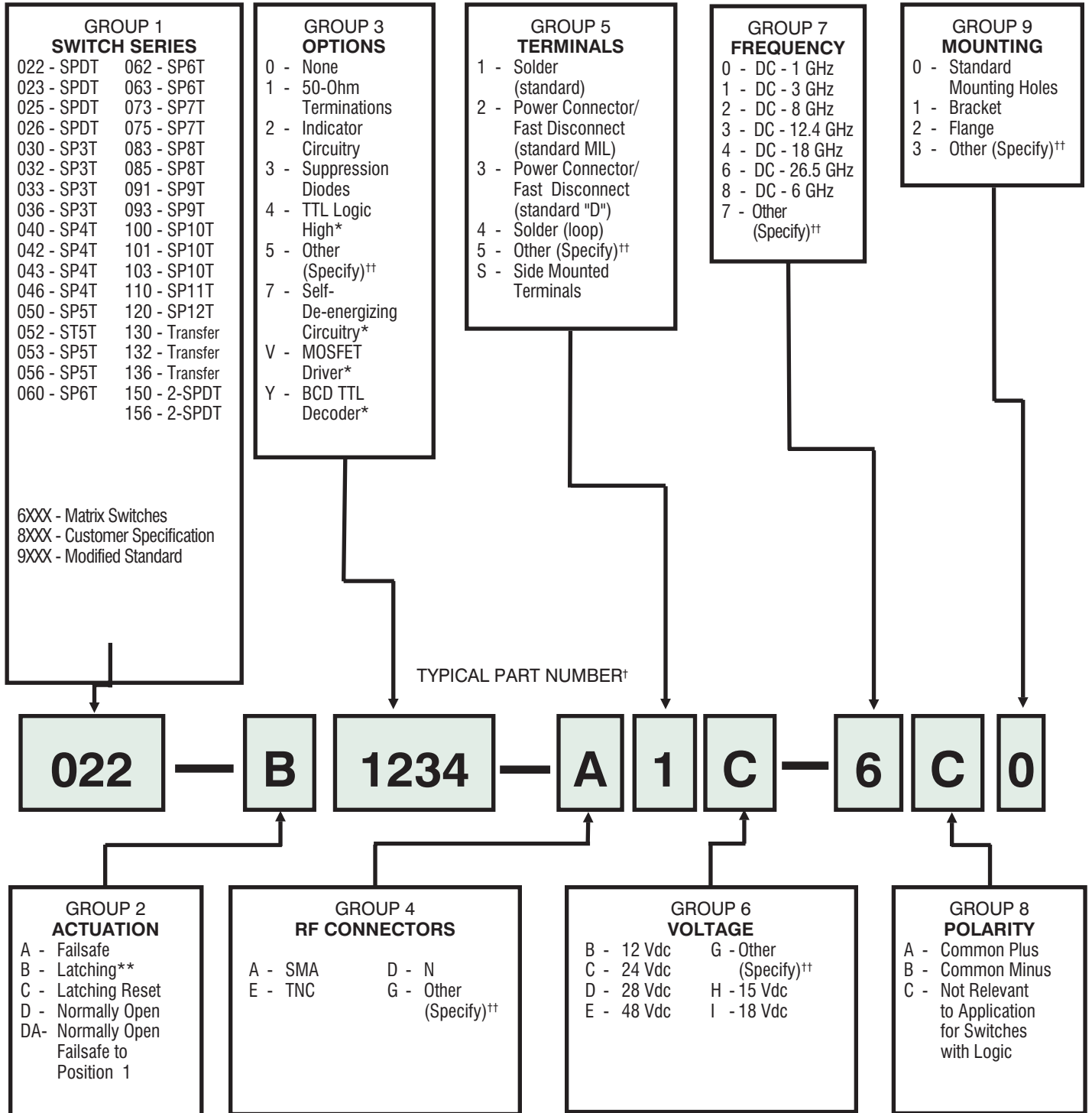


Part Number Charts



* If this option is selected, suppression diodes (option 3) must also be selected.

** Requires pulse control of duration 30 to 100 ms unless self-de-energizing circuitry option is chosen. Self-de-energizing circuitry is recommended for multi-throw switches.

[†] Sample part number identifies: SPDT switch, latching, 50-ohm termination, indicator circuitry suppression diodes, TTL logic, SMA connectors, solder terminals, 24 Vdc, DC-26.5 GHz, polarity not relevant.

^{††} Consult the factory if "Other" is specified in any field.